

Technical datasheet No. : SECENV-11-06-14

Product code : 308 267

Date : 11/06/2014

Page : 1/1

Version : V1

Designation

A means of manually testing the correct operation of the overflow prevention device.

Composition

- Stainless steel cable \varnothing 1mm Lg 2m with a traction ring at one end, a cable clamp at the other.
- Brass union \varnothing 1" F, fitted with a cover on a chain.

Test Method

Pull the cable progressively, using the ring, to bring the float to its top position. Lower the float slowly to its rest position. Repeat this operation several times to make sure that nothing prevents the float moving freely throughout its travel.

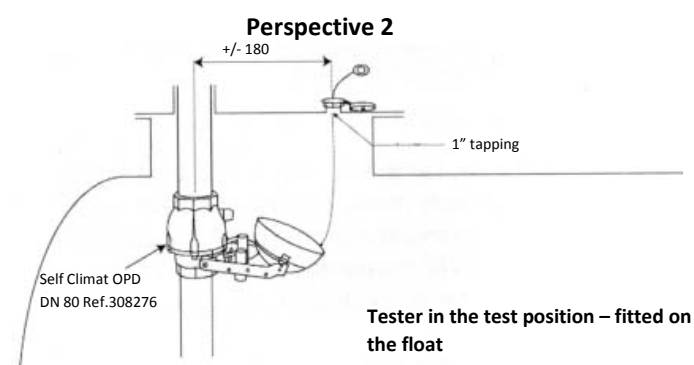
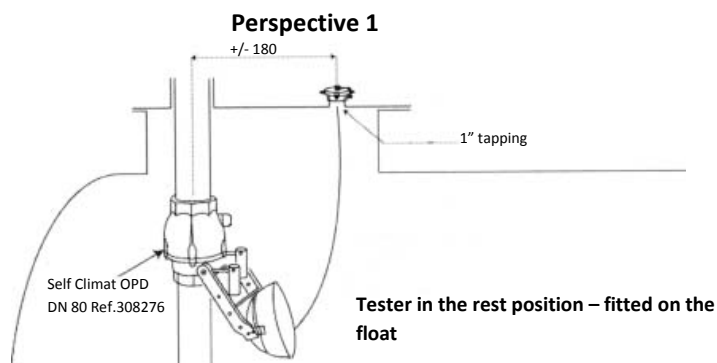
Procedure

When the tester is installed, it is essential to check its operation according to the procedure described in **Test Method** before filling the tank for the first time. This enables the correct installation of the overflow prevention device to be confirmed.

Once the tester is installed, this check must be performed at least once a year.

Compatibility

The OPD tester is compatible with the full range of Self Climat overflow prevention devices.



It is essential to ensure that the tester orifice is always on the manhole plate and not on the tank.