

# FUEL

## Technical datasheet

**Technical datasheet No:** FUEL-SMARTBOX1/2/3/4/4PRO  
**Product code:** 308064/308066/308065/308063/308062

### Designation

Universal, hydrostatic level indicator consisting of a control unit with digital display (remote measurement up to 200 m) and a submersible probe 0/250 mbar with integrated measuring cell to indicate precisely the level of liquid inside a static storage tank of max. height (water = 250 cm, heating oil = 290 cm, diesel fuel = 300 cm).

### Application

Suitable for the following media : fuel oil, fuel bio, diesel fuel, FAME, Adblue®, water, oils. The liquid stored must be clean. For other liquids, please contact us.

### Operating

- ✓ Continuous level measurement in static storage tanks
- ✓ The liquid level is indicated in volume (Litre) or height and equivalence in percentage (%)
- ✓ Setup and configuration on site

### + Product

- ✓ Universal gauge suitable for all tank shapes (linear, cylindrical, ball, oval, convex, concave etc.)
- ✓ High reliability and measuring accuracy
- ✓ Easy, quick and simple installation
- ✓ Parameters and values can be modified
- ✓ Possibility of data transmission with signal 0-5 V, 4-20 mA or M-Bus
- ✓ Possibility of signaling events by mobile or email (depending on model)

### Installation

- ✓ Digital display unit IP30 inside a local or building
- ✓ Outside the defined EX protection zone (must not be used in potentially explosive areas)
- ✓ Submersible probe with 6 m submersible cable

### Scope of delivery

- ✓ Indicator SmartBox® 1, 2, 3, 4, 4 PRO
- ✓ Submersible probe 0-250 mbar (depending on model)
- ✓ Cable length 6 m (200 m max.) *> to be installed together with a junction box IP 66 with pressure relief port (item 308 083) for all cable extension*
- ✓ Adapters G1', 1' ½ et 2' M
- ✓ Cable gland



### Options / accessories

- ✓ Junction box IP 66 with pressure relief port (item 308 083)
- ✓ DTM 1 module output 0-5 V (item 308 067)
- ✓ DTM 3 module output 4-20 mA (ref. 308 068)
- ✓ DTM 4 module output M-Bus (ref. 308 069)
- ✓ Other probes available on request depending on the tank and liquid (e.g. probe 0/500 mbar, 0/1000 mbar, ATEX...) for higher tanks or special liquids



### Warranty

12 months provided fitting and operating instructions are observed.

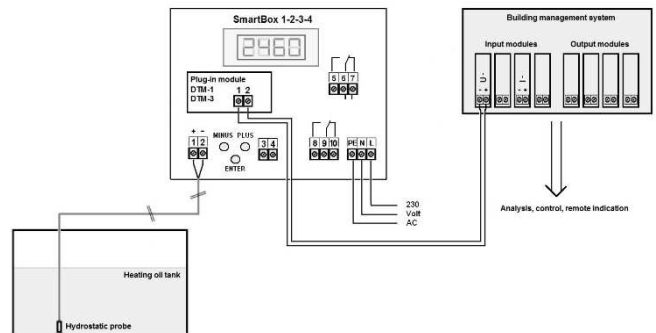
# HYDROSTATIC INDICATOR SMARTBOX® 1, 2, 3, 4, 4 PRO

Date : 03/2018

Page : 1/3



### Installation with DTM module for data transmission



### Technical specifications

- Digital display unit SmartBox® 1, 2, 3, 4, 4 PRO**
  - Supply voltage : 230 V AC 50Hz
  - Degree of protection : IP 30 acc. to EN 60529  
IP 54 for SmartBox 1,2,4,4 PRO available on request
  - Switching voltage : max. 250 V AC
  - Switching current : max. 3,5 A
  - Dimensions (W x H x D) : 194 x 130 x 65 mm
  - Housing : Polycarbonate (PC)
  - **Standard submersible probe 0-250 mbar**
    - Operating voltage : 20 V DC
    - Degree of protection : IP 68 acc. to EN 60529
    - Cable probe : 6 m (200 m max.)
    - Standard probe length (without cable) : 97 mm
    - Ø standard sonde : 22 mm
    - Accuracy ± 1%
- Temperature**
  - Indicator : - 10°C à +50°C
  - Operating media : -10°C à +50°C

# FUEL

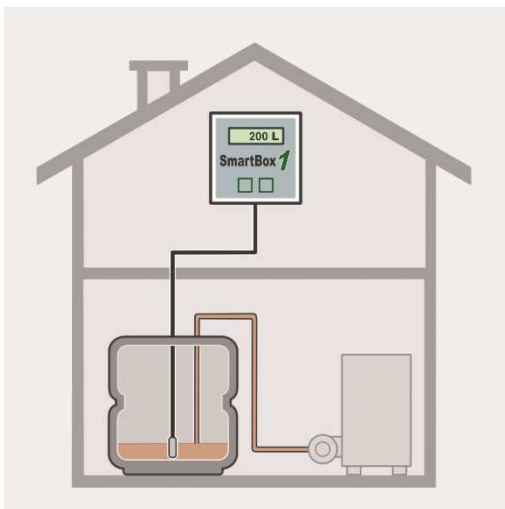
## Technical datasheet

Technical datasheet No: FUEL-SMARTBOX1/2/3/4/4PRO  
 Product code: 308064/308066/308065/308063/308062

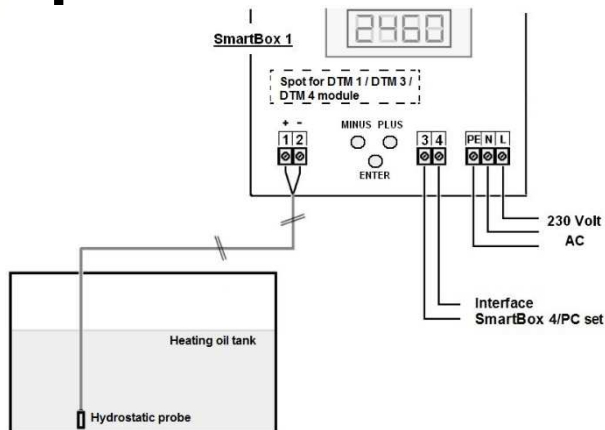
# HYDROSTATIC INDICATOR SMARTBOX® 1, 2, 3, 4, 4 PRO

Date : 03/2018

Page : 2/3

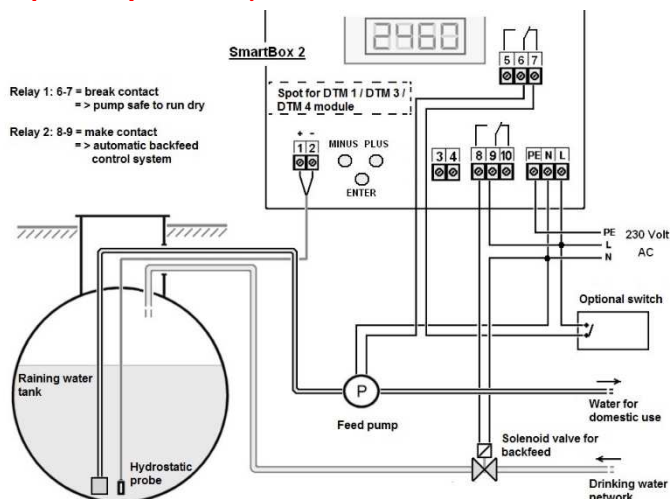
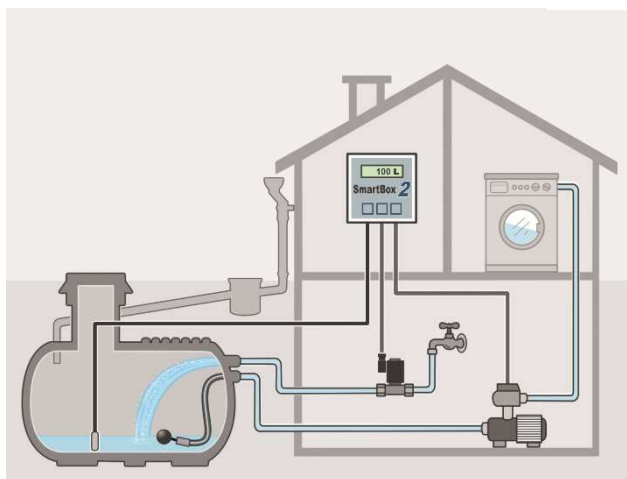


## SmartBOX 1



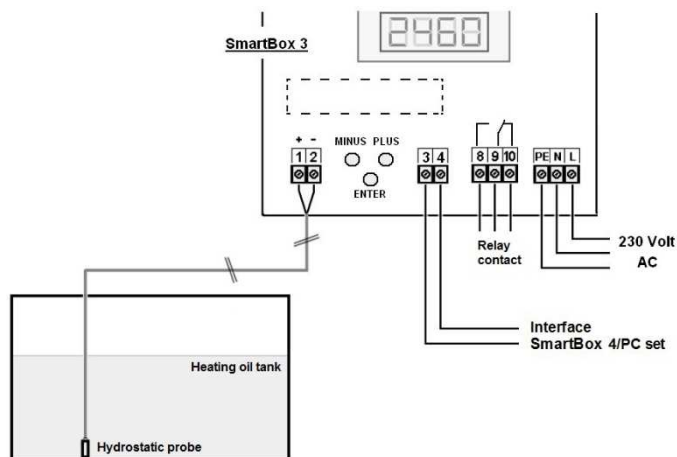
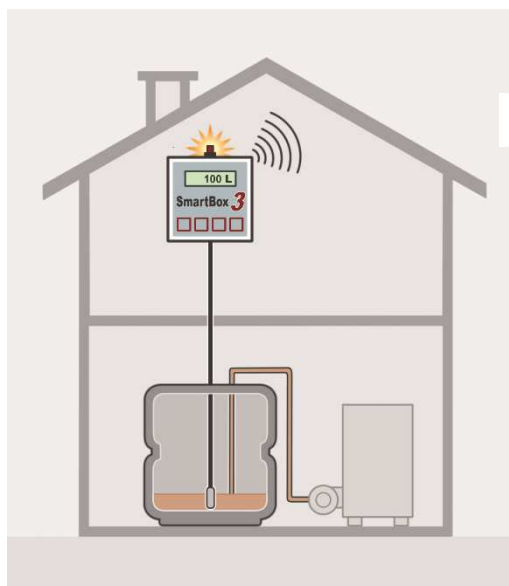
## SmartBOX 2

(Two switching output relay contacts)



## SmartBOX 3

(One switching output relay contact and one visual/audible alarm)



# FUEL

## Technical datasheet

Technical datasheet No: FUEL-SMARTBOX1/2/3/4/4PRO  
Product code: 308064/308066/308065/308063/308062

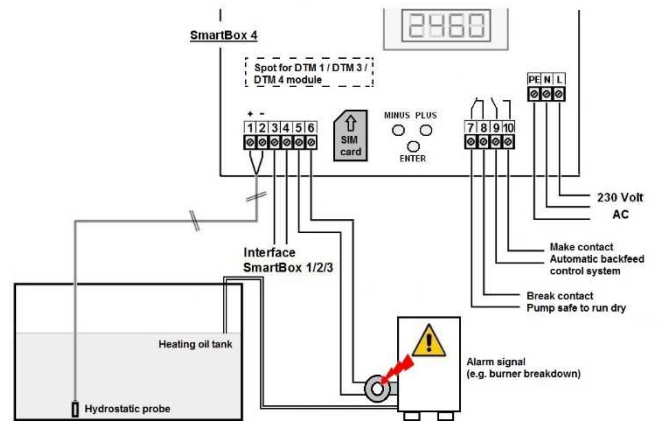
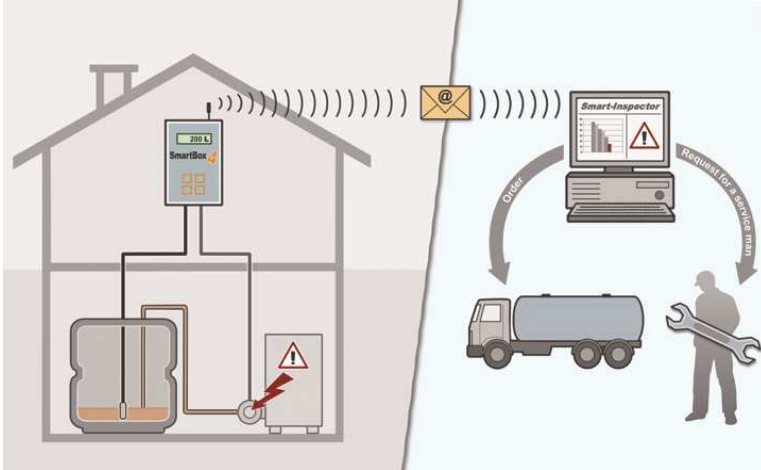
# HYDROSTATIC INDICATOR SMARTBOX® 1, 2, 3, 4, 4 PRO

Date : 03/2018

Page : 3/3

## SmartBOX 4

(One switching output relay contact and data transmission)



## SmartBOX 4 PRO

(Up to 4 storage tanks with the same indicator)

