

SAFETY, ENVIRONMENT

Technical datasheet

Technical datasheet No.: SECENV-LDR INOX

Product code: 308 268

OVERFILL PREVENTION DEVICE DN 80 INOX (100% stainless steel) FOR THE INDUSTRY

Date: 08/02/2018

Page: 1/1

Replaces: version 26/09/2017

Designation

A completely safe mechanical safety and environmental protection device preventing any risk of overflow when filling a static tank.

Application

Designed for highly corrosive liquids or liquids containing water (e.g. AdBlue®) which only stainless steel is compatible.

Operating

- ✓ Delivered ready-to-fit: fits on the filler tube inside the tank.
- ✓ A dip tube must be fitted under the OPD to prevent turbulence or foam forming (risk of accidental closure).
- ✓ A complete and single automatic closure at level N1.
- ✓ At level N1 and once the filling process has stopped, drainage of residual liquid remaining upstream of the device is permitted.

+ Product

- ✓ Excellent reliability and durability of operation
- ✓ Excellent material resistance, an all-metal product (no seal, no gasket, no maintenance)
- ✓ Provides a complete and automatic closure
- ✓ Suitable for gravity or pressure filling operation
- ✓ Operational test on every unit
- ✓ A cable tester is available as an option

Characteristics & standards

- ✓ Suitable for use in group IIB potentially explosive atmospheres
- ✓ ATEX Ex II 1 G c IIB T6 marking
- ✓ ATEX : INERIS 07ATEX0037 EC-type examination certificate
- ✓ ATEX : Production Quality Assurance Notification INERIS 07ATEXQ404
- ✓ Compliant with Directive 2014/34/EU
- ✓ Compliant with the following standards:
 - EN 13616 - Subtype A2 (The equipment is not affected by substantial modifications of the EN 13616-1 : 2016 standard)
 - KIWA BRL-K-636/03 (Netherlands) *
 - Vlare II (Belgium) *
 - UL 2583 (United States) *
 - CAN/ULC-S661-10 (R2016) (Canada) *

(*) Attention ! The item reference differs depending on the country of destination. Please contact us.

Composition

Supplied with fitting instructions and aluminium identification plate

Compatibility

Before installing check the compatibility between the LDR and the nature of the liquid stored in the tank, characteristics determining the type of device to be installed. Compatibility opinions given by Self Climat are for information only and can in no circumstances be used contractually.

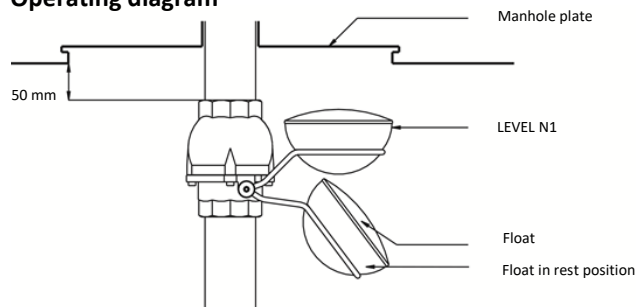
Warranty

12 months provided fitting and operating instructions are observed.

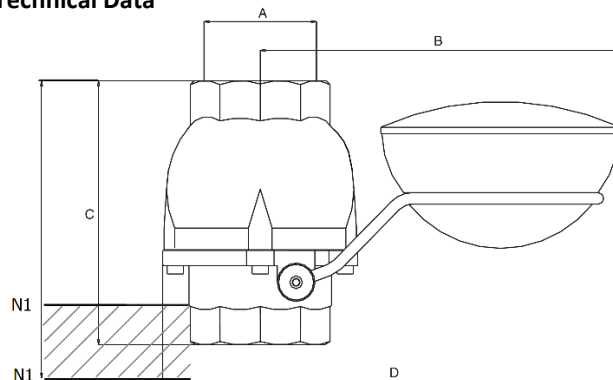


EN 13616

Operating diagram



Technical Data



Reference	308 268
Dimension	Type DN 80 INOX
A (mm)	ø 80/90
B (mm)	322
C (mm)	207
D (mm)	400
Range N1 - gravity (mm)	170-175
Range N1 - pressure (mm)	170-215
Construction	Type DN 80 INOX
Body	Inox 316
Float	Inox 316 L
Fastenings and other parts	Inox
Operating	Type DN 80 INOX
Connection	G3" BSP F/F
Min. pressure	0,15 bar
Max. pressure	8 bar
Min. flow	3,6 m³/h
Max. flow	60 m³/h
Max. liquid viscosity rating	55 cSt
Temperature	-25°C to +60°C
Type of discharge	Pump or gravity
Weight	9.80 kg